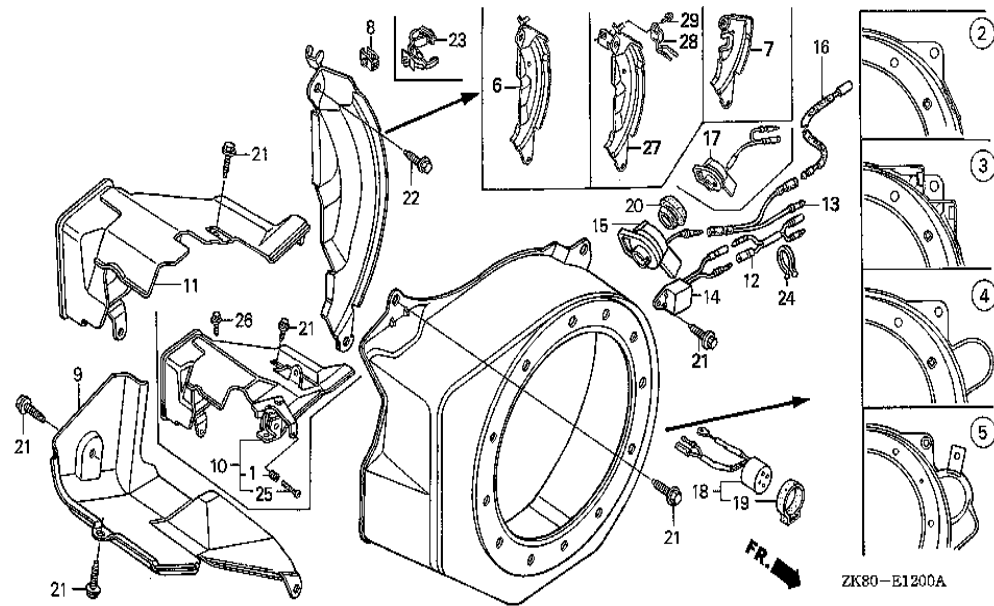


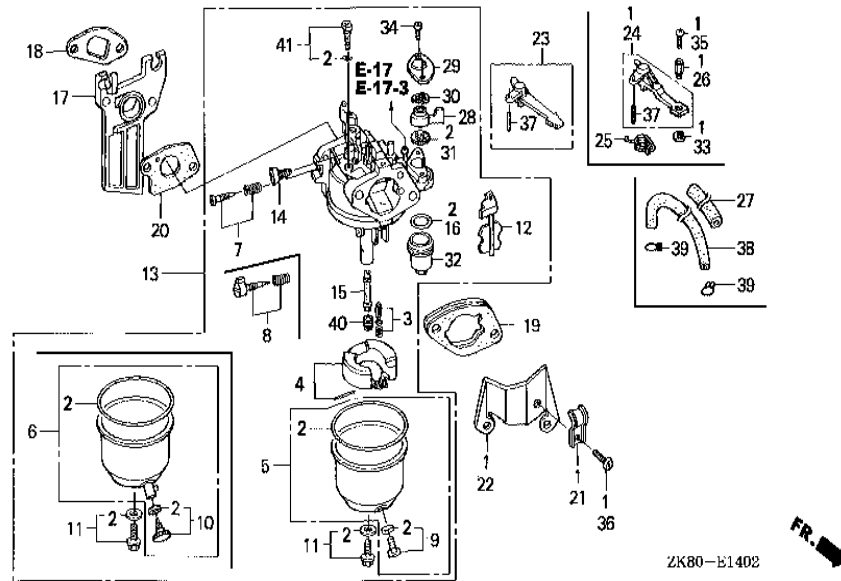
ZK80-B1100



Ref	Partnumber	Description	GX160K1	Serial Numbers
001	28400-ZH8-013YA	STARTER ASSY., RECOIL *R280*	1	
004	28410-ZH8-003YA	CASE COMP., RECOIL STARTER*R280*	1	
005	28420-ZH8-013	REEL, RECOIL STARTER (NATURAL)	1	
006	28422-ZH8-013	RATCHET, STARTER	2	
007	28433-ZH8-003	GUIDE, RATCHET	1	
008	28441-ZH8-003	SPRING, FRICTION	1	
009	28442-ZH8-003	SPRING, RECOIL STARTER	1	
010	28443-ZH8-003	SPRING, RETURN	2	
011	28461-ZH8-003	GRIP, STARTER	1	
012	28462-ZH8-003	ROPE, RECOIL STARTER	1	
013	90003-ZH8-003	SCREW, SETTING	1	
014	90008-ZE2-003	BOLT, FLANGE, 6X10	3	

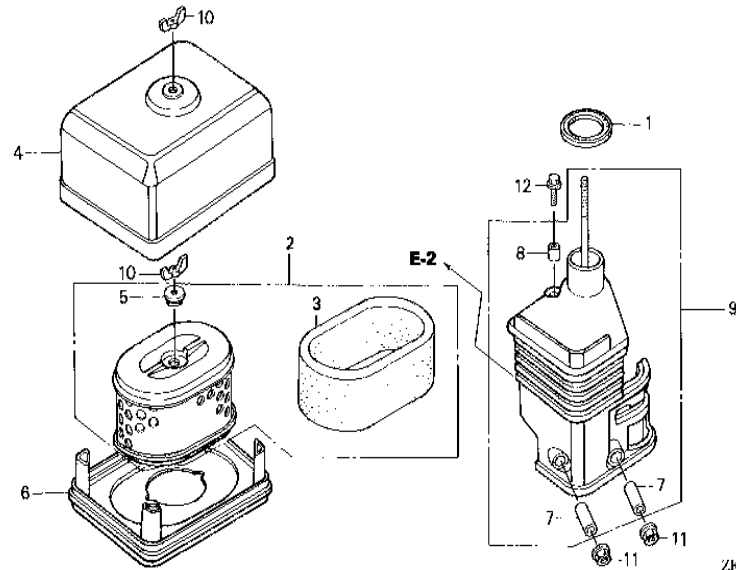


Ref	Partnumber	Description	GX160K1	Serial Numbers
002	19610-ZE1-000ZA	COVER COMP., FAN *R8*	1	
002	19610-ZE1-000ZP	COVER COMP., FAN *R280*	1	
009	19630-ZH8-000	SHROUD COMP.	1	
015	36100-ZH7-003	SWITCH ASSY., ENGINE STOP	1	
021	90013-883-000	BOLT, FLANGE, 6X12 (CT200)	6	
022	90022-888-010	BOLT, FLANGE, 6X20 (CT200)	1	
023	90601-ZH7-013	CLIP, HARNESS	1	
027	19611-ZH8-810	PLATE COMP., SIDE (OIL ALERT)	1	
028	34150-ZH7-003	ALERT UNIT, OIL	1	
029	95701-0600800	BOLT, FLANGE, 6X8	1	



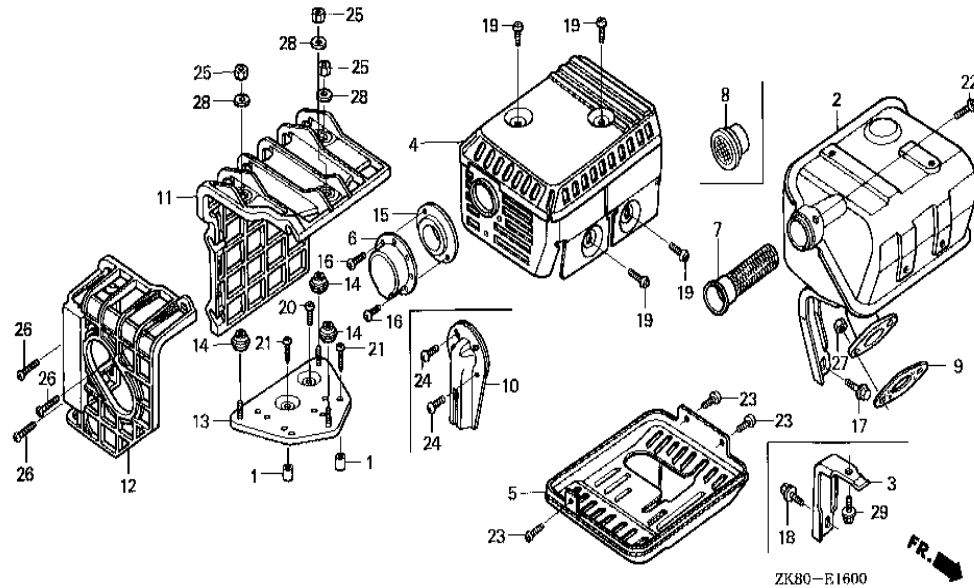
Ref	Partnumber	Description	GX160K1	Serial Numbers
002	16010-ZE1-812	GASKET SET	1	
003	16011-ZE0-005	VALVE SET, FLOAT	1	
004	16013-ZE0-005	FLOAT SET	1	
005	16015-ZE0-831	CHAMBER SET, FLOAT	1	
008	16016-ZH7-W01	SCREW SET, PILOT	1	
009	16024-ZE1-811	SCREW SET, DRAIN	1	
011	16028-ZE0-005	SCREW SET	1	
012	16044-ZE0-005	CHOKE SET	1	
013	16100-ZH8-W51	CARBURETOR ASSY. (BE65B B)	1	
014	16124-ZE0-005	SCREW, THROTTLE STOP	1	
015	16166-ZH8-W50	NOZZLE, MAIN	1	
016	16173-001-004	PACKING, FUEL STRAINER CUP	1	
017	16211-ZE1-000	INSULATOR, CARBURETOR	1	

018	16212-ZH8-800	PACKING, INSULATOR	1
019	16220-ZE1-020	SPACER COMP., CARBURETOR	1
020	16221-ZH8-801	PACKING, CARBURETOR	1
023	16610-ZE1-000	LEVER COMP., CHOKE (STD.) alavanca do afogador	1
028	16953-ZE1-812	LEVER, COCK alavanca da gasolina	1
029	16954-ZE1-812	PLATE, LEVER SETTING	1
030	16956-ZE1-811	SPRING, COCK LEVER	1
031	16957-ZE1-812	PACKING, FUEL COCK	1
032	16967-ZE0-811	CUP, FUEL STRAINER	1
034	93500-030061H	SCREW, PAN, 3X6	2
037	94305-20122-	PIN, SPRING, 2X12	1
040	99101-ZH8-0650	JET, MAIN, #65	(1)
040	99101-ZH8-0680	JET, MAIN, #68	(1)
040	99101-ZH8-0700	JET, MAIN, #70	1
041	99204-ZE0-0350	JET SET, PILOT, #35	1

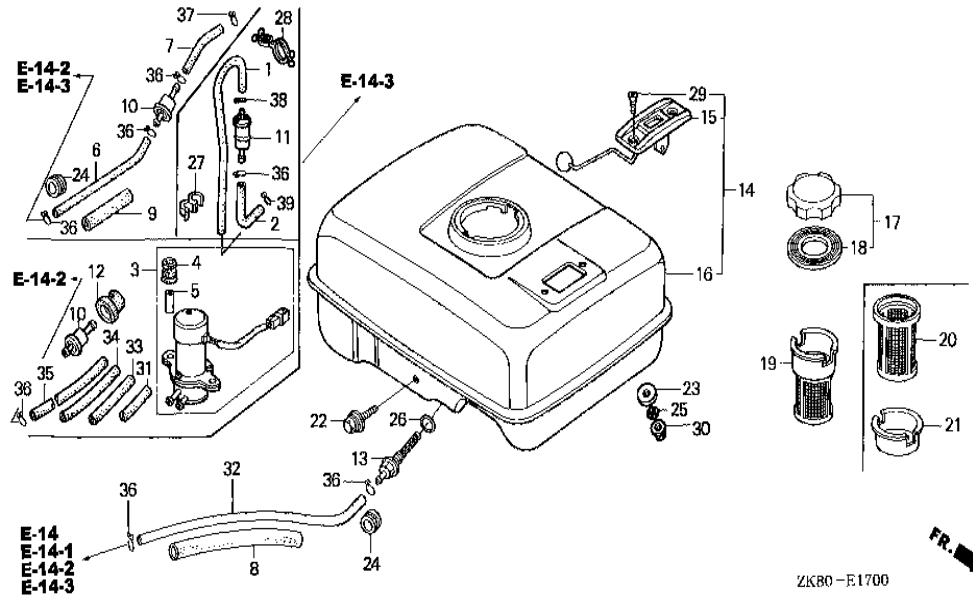


ZK80-F.1500

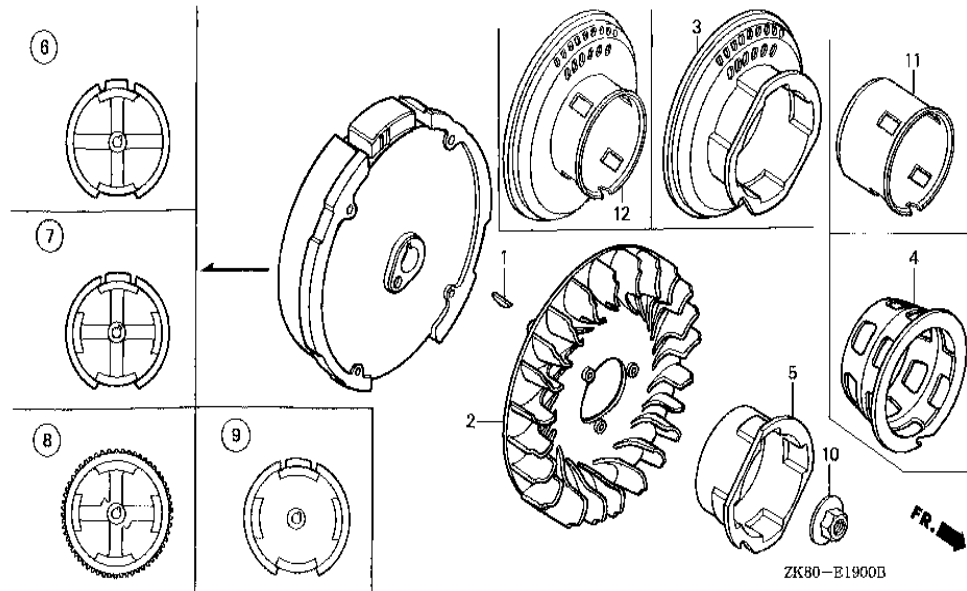
Ref	Partnumber	Description	GX160K1	Serial Numbers
001	16271-ZE1-000	PACKING, ELBOW	1	
002	17210-ZE1-822	ELEMENT, AIR CLEANER (DUAL)	1	
003	17218-ZE1-821	FILTER, OUTER	1	
004	17230-ZE1-820	COVER, AIR CLEANER (DUAL)	1	
005	17232-891-000	GROMMET, AIR CLEANER	1	
007	17238-ZE7-010	COLLAR, AIR CLEANER	2	
008	17239-ZE1-000	COLLAR B, AIR CLEANER	1	
009	17410-ZE1-020	ELBOW COMP., AIR CLEANER	1	
010	90325-044-000	NUT, TOOL BOX SETTING	2	
011	94050-06000-	NUT, FLANGE, 6MM	2	
012	95701-0602000	BOLT, FLANGE, 6X20	1	



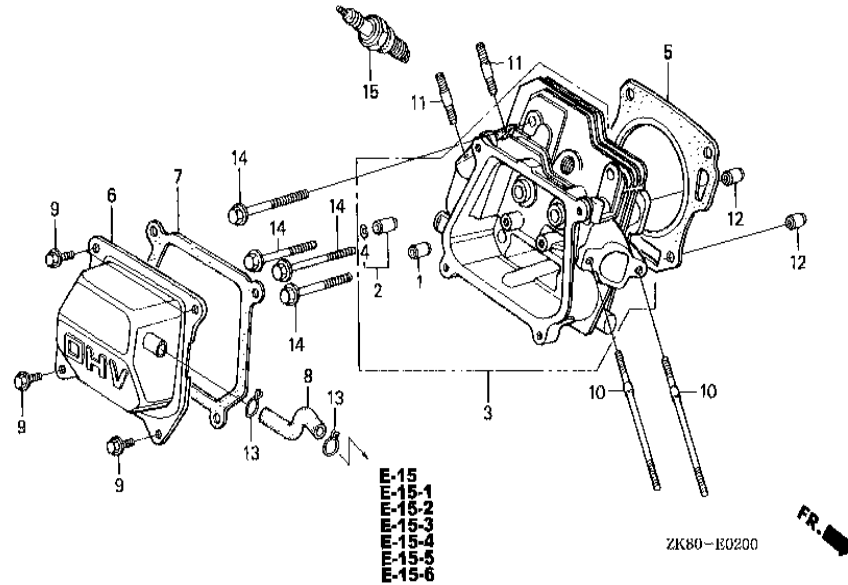
Ref	Partnumber	Description	GX160K1	Serial Numbers
002	18310-ZF1-000	MUFFLER COMP. (STD.)	1	
002	18310-ZH8-810	MUFFLER COMP. (ARRESTER)	(1)	
004	18320-ZF1-H01	PROTECTOR, MUFFLER (STD.)(BLACK)	1	
007	18355-ZE1-000	ARRESTER, SPARK	(1)	
009	18381-ZH8-800	GASKET, MUFFLER	1	
019	90050-ZE1-000	SCREW, TAPPING, 5X8	4	
022	90055-ZE1-000	SCREW, TAPPING, 4X6	(1)	
027	94001-080000S	NUT, HEX., 8MM	2	



Ref	Partnumber	Description	GX160K1	Serial Numbers
008	16854-ZH8-000	RUBBER, SUPPORTER (107MM)	1	
013	16955-ZE1-000	JOINT, FUEL TANK	1	
016	17510-ZE1-020ZA	TANK COMP., FUEL *NH31*	17510ZOT000ZC (new)	
017	17620-ZOT-305	CAP COMP., FUEL FILLER(CHROME PLATED)	1	
018	17631-ZOT-812	PACKING, FUEL FILLER CAP(39X62X3)	1	
022	90004-ZH7-003	BOLT, FLANGE, 6X29	1	
026	91353-671-004	O-RING, 14MM (NOK)	1	
030	94050-06000-	NUT, FLANGE, 6MM	2	
032	95001-4514040	TUBE, FUEL, 4.5X140(95001-45001-60M)	1	
036	95002-02080-	CLIP, TUBE (B8)	2	

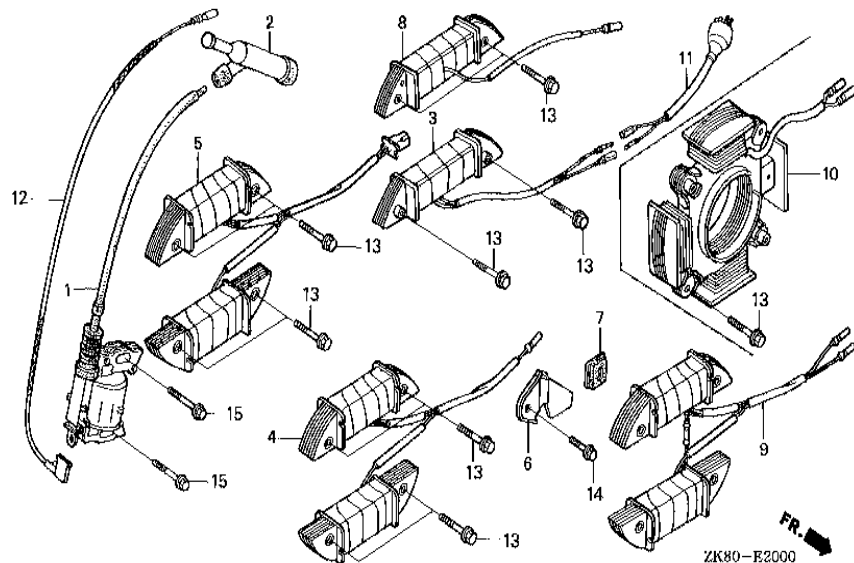


Ref	Partnumber	Description	GX160K1	Serial Numbers
001	13331-357-000	KEY, SPECIAL WOODRUFF, 25X18	1	
002	19511-ZE1-000	FAN, COOLING	1	
005	28451-ZH8-003	PULLEY, STARTER	1	
006	31100-ZE1-010	FLYWHEEL COMP.	1	
010	90201-878-003	NUT, SPECIAL, 14MM	1	

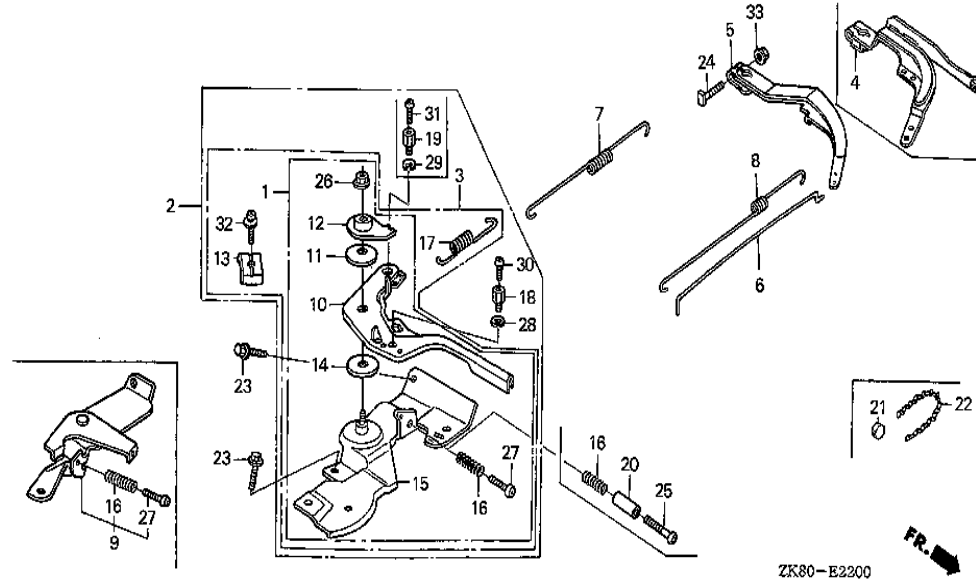


Ref	Partnumber	Description	GX160K1	Serial Numbers
001	12204-ZE1-306	GUIDE, IN. VALVE (O.S.)	(1)	
002	12205-ZE1-315	GUIDE, EX. VALVE (O.S.)	(1)	
003	12210-ZH8-405	HEAD COMP., CYLINDER	1	
004	12216-ZE5-300	CLIP, VALVE GUIDE	1	
005	12251-ZF1-800	GASKET, CYLINDER HEAD	1	
006	12310-ZE1-010	COVER COMP., HEAD	1	
007	12391-ZE1-000	PACKING, HEAD COVER	1	
008	15721-ZH8-000	TUBE, BREATHER	1	
009	90013-883-000	BOLT, FLANGE, 6X12 (CT200)	4	
010	90043-ZE1-020	BOLT, STUD, 6X112	2	
011	90047-ZE1-000	BOLT, STUD, 8X32	2	
012	94301-10160-	DOWEL PIN, 10X16	2	
014	95723-0806000	BOLT, FLANGE, 8X60	4	

015	98079-55846-	PLUG, SPARK (BPR5ES) (NGK)	(1)
015	98079-55855-	PLUG, SPARK (W16EPR-U) (DENSO)	(1)
015	98079-56846-	PLUG, SPARK (BPR6ES) (NGK)	1
015	98079-56855-	PLUG, SPARK (W20EPR-U) (DENSO)	1

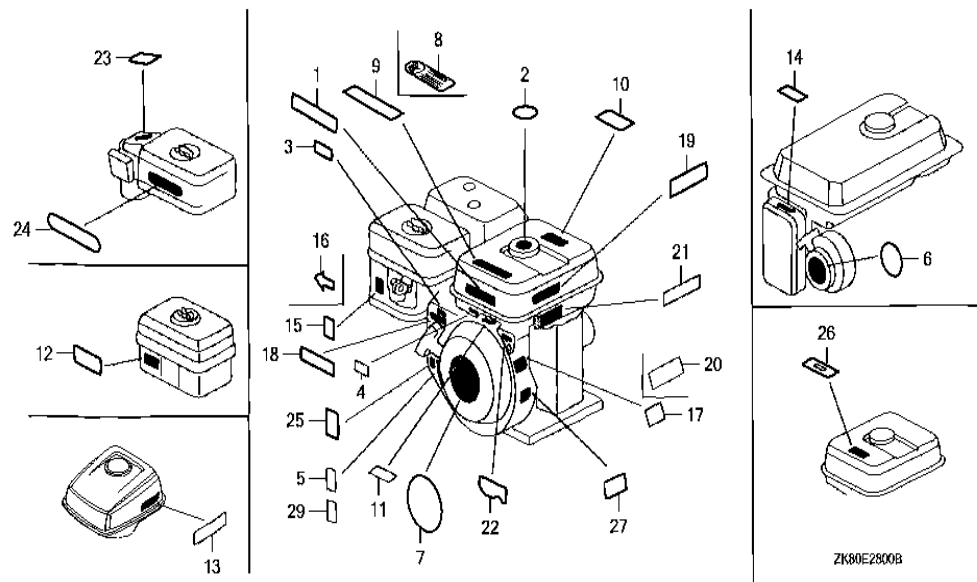


Ref	Partnumber	Description	GX160K1	Serial Numbers
001	30500-ZE1-043	COIL ASSY., IGNITION	1	
002	30700-ZE1-013	CAP ASSY., NOISE SUPPRESSOR(NICHIWA Y-EZ)	1	
012	36101-ZE1-010	CORD, STOP SWITCH (370MM)	1	
015	90121-952-000	BOLT, FLANGE, 6X25 (CT200)	2	

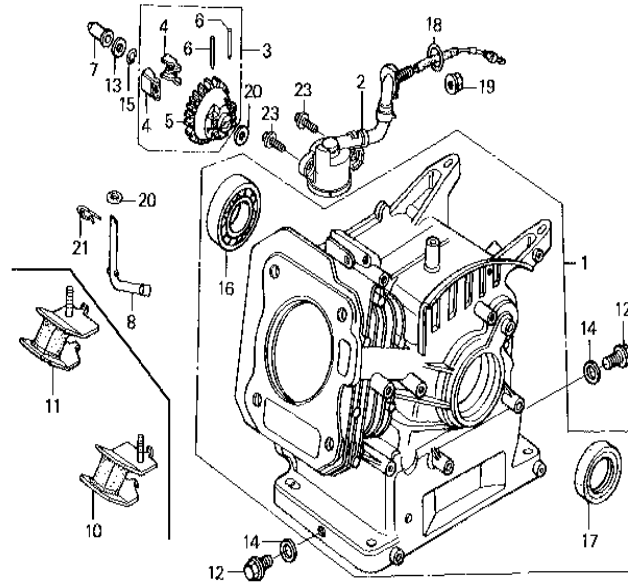


Ref	Partnumber	Description	GX160K1	Serial Numbers
003	16500-ZH8-823	CONTROL ASSY. (REMOTE)	1	
005	16551-ZE0-010	ARM, GOVERNOR	1	
006	16555-ZE1-000	ROD, GOVERNOR	1	
007	16561-ZE1-020	SPRING, GOVERNOR	1	
008	16562-ZE1-020	SPRING, THROTTLE RETURN	1	
010	16571-ZH8-020	LEVER, CONTROL	1	
011	16574-ZE1-000	SPRING, LEVER	1	
012	16575-ZH8-000	WASHER, CONTROL LEVER	1	
013	16576-891-000	HOLDER, CABLE	1	
014	16578-ZE1-000	SPACER, CONTROL LEVER	1	
015	16580-ZH8-813	BASE COMP., CONTROL (REMOTE)(###)	1	
016	16584-883-300	SPRING, CONTROL ADJUSTING	1	
017	16592-ZE1-810	SPRING, CABLE RETURN	1	

023	90013-883-000	BOLT, FLANGE, 6X12 (CT200)	2
024	90015-ZE5-010	BOLT, GOVERNOR ARM	1
026	90114-SA0-000	NUT, SELF-LOCK, 6MM	1
027	93500-050250H	SCREW, PAN, 5X25	1
032	93500-050160A	SCREW, PAN, 5X16	1
033	94050-06000-	NUT, FLANGE, 6MM	1



Ref	Partnumber	Description	GX160K1	Serial Numbers
004	87135-ZE2-020	LABEL, E-SPEC (15.5X27.5)	1	
007	87521-ZH8-030	EMBLEM (GX160 5.5)	1	
009	87522-ZK7-800	LABEL, CAUTION	1	
015	87528-ZE1-810	MARK, CHOKE	1	
019	87532-ZK7-800	MARK, OIL ALERT	1	

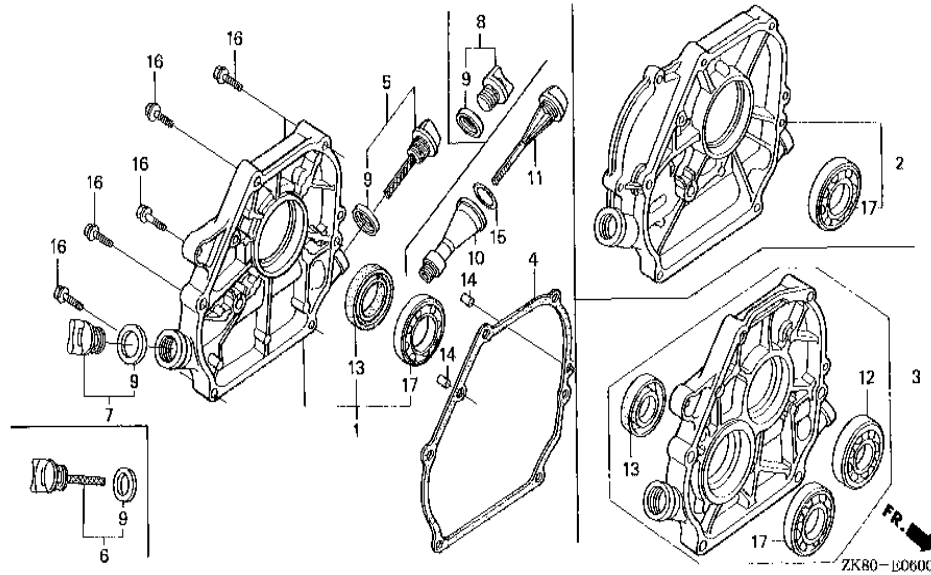


ZK80-ED300A

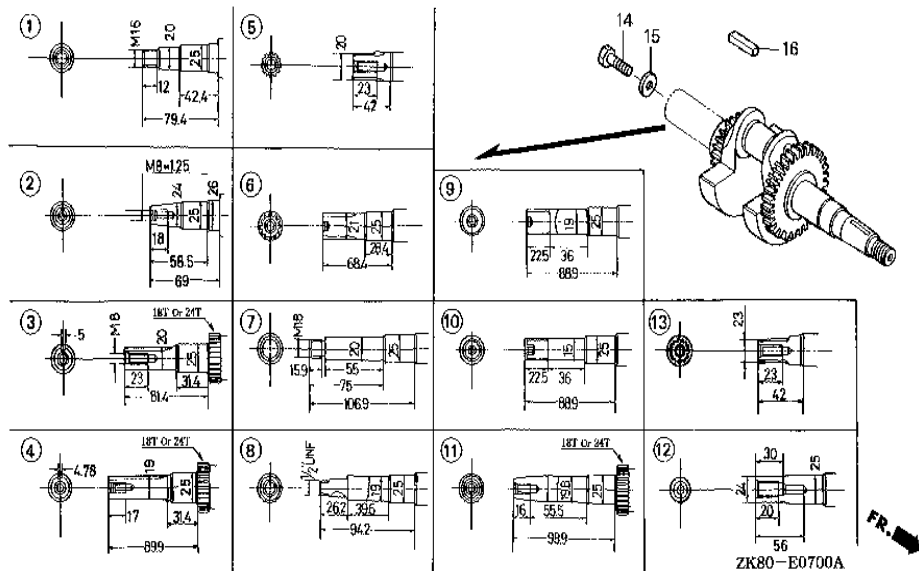


Ref	Partnumber	Description	GX160K1	Serial Numbers
001	12000-ZH8-426	BARREL ASSY., CYLINDER(OIL ALERT)	1	
002	15510-ZE1-033	SWITCH ASSY., OIL LEVEL	1	
003	16510-ZE1-000	GOVERNOR ASSY.	1	
004	16511-ZE1-000	WEIGHT, GOVERNOR	2	
005	16512-ZE1-000	HOLDER, GOVERNOR WEIGHT	1	
006	16513-ZE1-000	PIN, GOVERNOR WEIGHT	2	
007	16531-ZE1-000	SLIDER, GOVERNOR	1	
008	16541-ZE1-000	SHAFT, GOVERNOR ARM	1	
012	90131-ZE1-000	BOLT, DRAIN PLUG	2	
013	90451-ZE1-000	WASHER, THRUST, 6MM	1	
014	90601-ZE1-000	WASHER, DRAIN PLUG, 10.2MM	2	
015	90602-ZE1-000	CLIP, GOVERNOR HOLDER	1	
016	91001-ZF1-003	BEARING, RADIAL BALL (6205TMB)(NTN)	1	

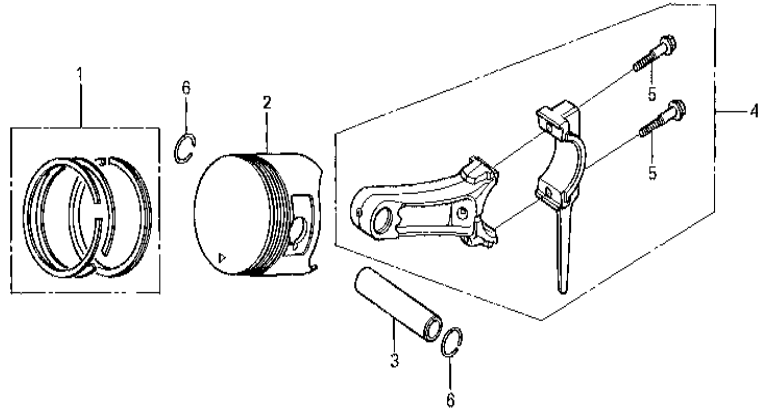
016	91001-ZF1-004	BEARING, RADIAL BALL (6205SH)(KOYO)	1
017	91201-Z0T-801	OIL SEAL, 25X41X6	1
018	91353-671-004	O-RING, 14MM (NOK)	1
019	94050-10000-	NUT, FLANGE, 10MM	1
020	94101-06800-	WASHER, PLAIN, 6MM	2
021	94251-08000-	PIN, LOCK, 8MM	1
023	95701-0601200	BOLT, FLANGE, 6X12	2



<u>Ref</u>	<u>Partnumber</u>	<u>Description</u>	<u>GX160K1</u>	<u>Serial Numbers</u>
001	11300-ZE1-642	COVER ASSY., CRANKCASE	1	
004	11381-ZH8-801	PACKING, CASE COVER(NON ASBESTOS)	1	
005	15600-ZE1-003	CAP ASSY., OIL FILLER (GRAY)	1	
007	15600-ZG4-003	CAP ASSY., OIL FILLER	1	
009	15625-ZE1-003	PACKING, OIL FILLER CAP	2	
013	91201-Z0T-801	OIL SEAL, 25X41X6	1	
014	94301-08140-	DOWEL PIN, 8X14	2	
016	95701-0803200	BOLT, FLANGE, 8X32	6	
017	96100-6205000	BEARING, RADIAL BALL, 6205	1	



Ref	Partnumber	Description	GX160K1	Serial Numbers
004	13310-ZE1-601	CRANKSHAFT COMP. (24T)	1	
016	90745-ZE1-600	KEY, 4.78X4.78X38	1	

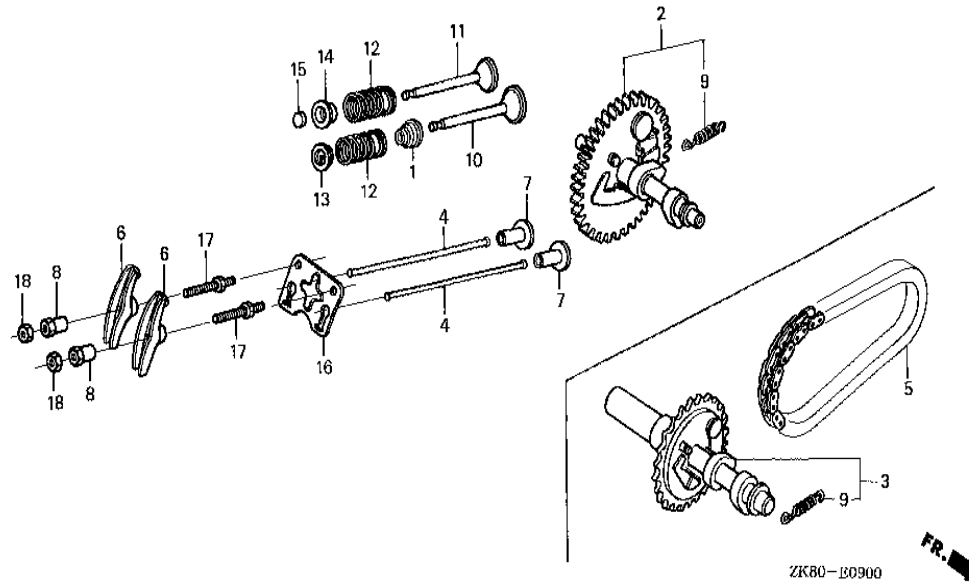


ZK80-B0800



<u>Ref</u>	<u>Partnumber</u>	<u>Description</u>	<u>GX160K1</u>	<u>Serial Numbers</u>
001	13010-ZL0-003	RING SET, PISTON (STD.)(TEIKOKU)	1	
001	13010-ZL0-004	RING SET, PISTON (STD.)(NIPPON)	1	
001	13011-ZL0-003	RING SET, PISTON (0.25)(TEIKOKU)	(1)	
001	13011-ZL0-004	RING SET, PISTON (0.25)(NIPPON)	(1)	
001	13012-ZL0-003	RING SET, PISTON (0.50)(TEIKOKU)	(1)	
001	13012-ZL0-004	RING SET, PISTON (0.50)(NIPPON)	(1)	
001	13013-ZL0-003	RING SET, PISTON (0.75)(TEIKOKU)	(1)	
001	13013-ZL0-004	RING SET, PISTON (0.75)(NIPPON)	(1)	
002	13101-ZH8-010	PISTON (STD.)	1	
002	13102-ZH8-010	PISTON (0.25)	(1)	
002	13103-ZH8-010	PISTON (0.50)	(1)	
002	13104-ZH8-010	PISTON (0.75)	(1)	
003	13111-ZE1-000	PIN, PISTON	1	

004	13200-ZE1-010	ROD ASSY., CONNECTING (STD.)	1
004	132A0-ZE1-000	ROD ASSY., CONNECTING(0.25 UNDER SIZE)	(1)
005	90001-ZE1-000	BOLT, CONNECTING ROD	2
006	90551-ZE1-000	CLIP, PISTON PIN, 18MM	2



<u>Ref</u>	<u>Partnumber</u>	<u>Description</u>	<u>GX160K1</u>	<u>Serial Numbers</u>
001	12209-ZH8-003	SEAL, VALVE STEM	1	
002	14100-ZE1-812	CAMSHAFT ASSY.	1	
004	14410-ZE1-010	ROD, PUSH	2	
006	14431-ZE1-000	ARM, VALVE ROCKER	2	
007	14441-ZE1-010	LIFTER, VALVE	2	
008	14451-ZE1-013	PIVOT, ROCKER ARM	2	
009	14568-ZE1-000	SPRING, WEIGHT RETURN	1	
010	14711-ZF1-000	VALVE, IN.	1	
011	14721-ZF1-000	VALVE, EX.	1	
012	14751-ZF1-000	SPRING, VALVE	2	
013	14771-ZE1-000	RETAINER, IN. VALVE SPRING	1	
014	14773-ZE1-000	RETAINER, EX. VALVE SPRING	1	
015	14781-ZE1-000	ROTATOR, VALVE	1	

016	14791-ZE1-010	PLATE, PUSH ROD GUIDE	1
017	90012-ZE0-010	BOLT, PIVOT, 8MM	2
018	90206-ZE1-000	NUT, PIVOT ADJUSTING	2